

STEP 1: Determine mounting height based upon local requirements.

STEP 2: Install the Upper Bracket using (3) Flat Head Screws as near to the top of the Fence Post as possible (Figure 2).

STEP 3: Install Lower Bracket

1. Align the rear groove in the Main Latch Body with the tab in the Upper Bracket and slide the Latch into position. Using a measuring device, locate the top of the Latch at the proper height (Figure 1). NOTE: Refer to all local building codes.
- 2.
3. Temporarily insert the Bottom Bracket and align the holes with the (3) countersunk holes at the bottom of the Main Body (Figure 3). With the Latch at the proper height, mark the Lower Bracket location on the Post.
4. Remove the Main Body and attach the Lower Bracket with the supplied mounting screws ((2) Flat Head Screws and (2) Pan Head Screws).

STEP 4: Install Main Latch Body

1. Reinstall the Main Body as described in STEP 3 by sliding over both Upper and Lower Brackets.
2. Align the holes of the Latch and Bottom Bracket, making sure that the overall Latch Height is maintained, and secure with (1) #8 Flat Head Screw (Figure 3).

STEP 5: Install Keeper Assembly

1. With Gate closed, Position Keeper Assembly and align with Main Latch Body.
2. Secure Keeper Assembly to Gate with the (4) Pan Head Screws provided.

STEP 6: Final Adjustments

1. If any final adjustments are needed, use the Horizontal Adjustment Screw located in the Keeper Assembly, and/or the vertical adjustment holes located in the Lower Bracket.

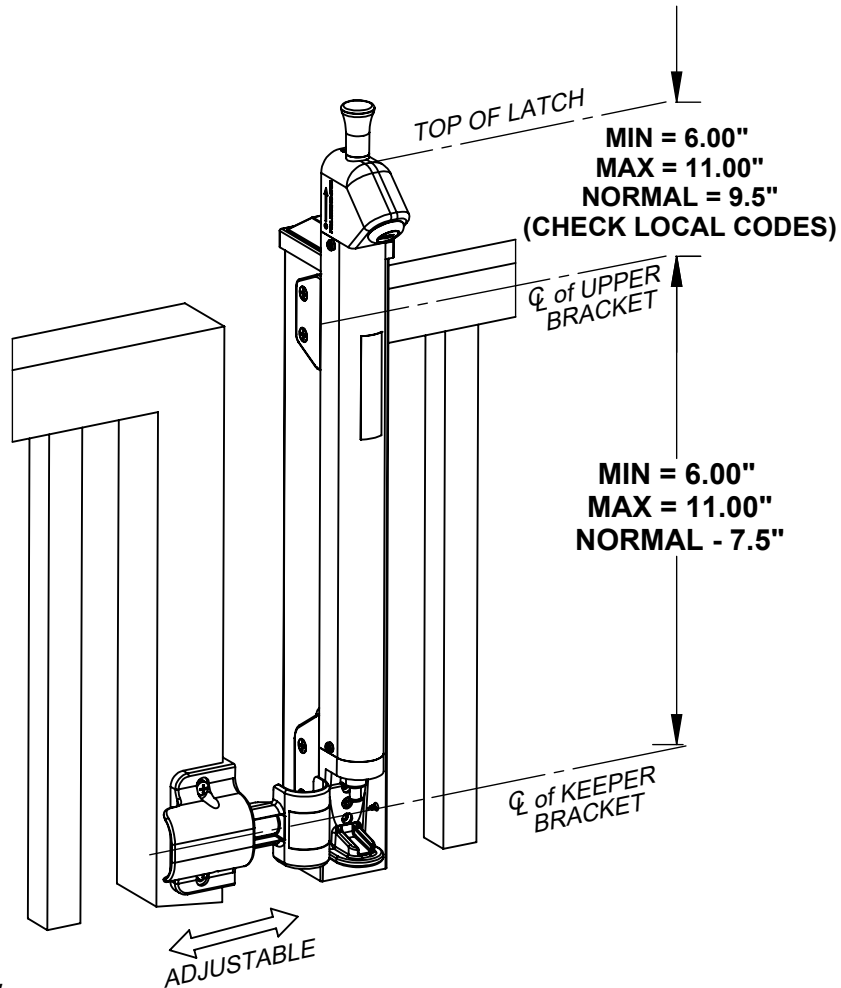


Figure 1

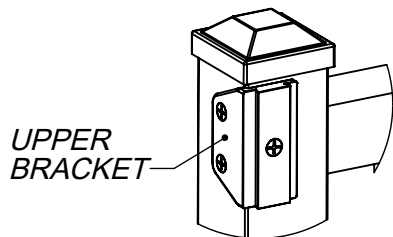


Figure 2

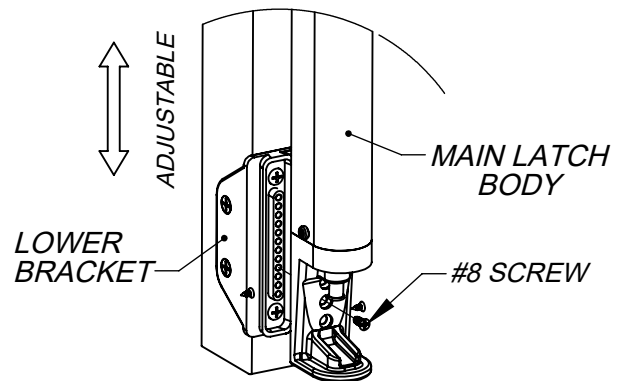


Figure 3