

### IMPORTANT NOTE:

*Nationwide Industries does not recommend using any lever-handle or pull-handle latches on a pool gate. Even when these types of latches are mounted at a height which would meet most pool safety codes, it is still inherently easier for a child to "hook" something (e.g. a towel, rope, or branch) around this type of handle (vs. a pool safety latch), possibly allowing the gate to be opened. Visit [www.nationwideindustries.com](http://www.nationwideindustries.com) to see pool gate safety latch options, which are more appropriate for this intended use.*

*Make sure the posts used for this application are securely anchored and vertical (use a level). This latch fits 1" to 2" gate frames and any post size.*

### KIT CONTAINS:

#### 1. MISCELLANEOUS PACK:

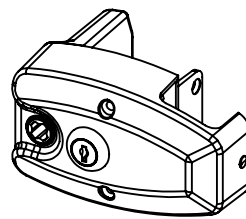
- (1) LATCH ASSEMBLY
- (1) KEEPER ASSEMBLY
- (1) OFFSET KEEPER BACKPLATE
- (2) HANDLES WITH SET SCREWS
- (1) SQUARE SPINDLE,
- (1) SET SCREW WRENCH

#### 2. TWO SETS OF MOUNTING HARDWARE:

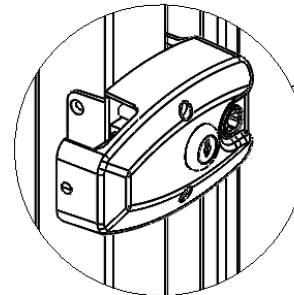
- USE SS SCREW SET FOR ALUMINUM GATES
- USE STEEL SCREW SET FOR STEEL GATES

EACH SET CONTAINS:

- (2) #8 X 2" LG. PH. FLAT HEAD SELF-DRILLING SCREWS.
- (7) #8 X 3/4" LG. PH. FLAT HEAD SELF-DRILLING SCREWS.
- (1) #6-32 KEEPER ADJUSTMENT LOCK
- (2) KEYS (Locking Version Only).

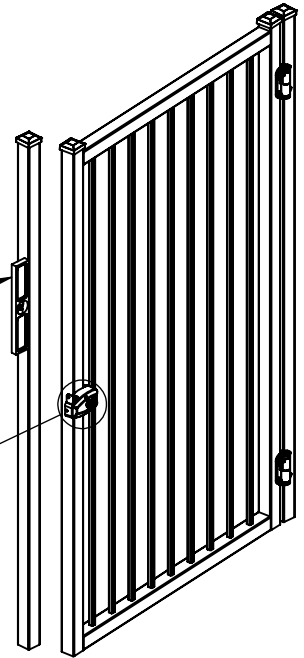


REVERSED



DETAIL "A"

Level

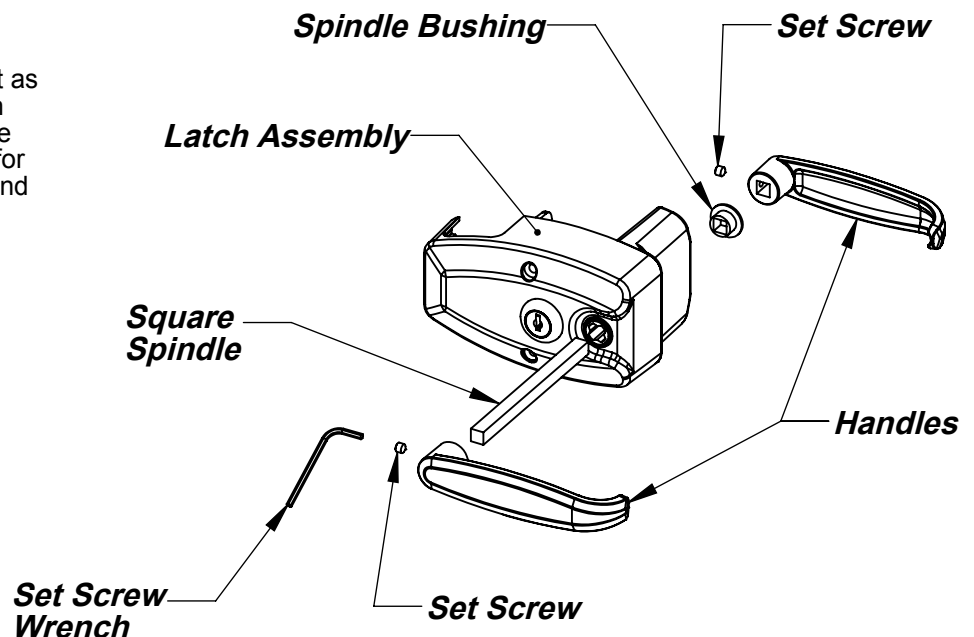


### STEP-1

Position **Latch Assembly**, at desired height as shown on Detail "A". Fasten to the gate with the supplied screws: #8 x 2" are used for the **Front of The Housing**, #8 x 3/4" are used for the **Return Tab**. The **Latch** is not handed and can be mounted as shown or reversed.

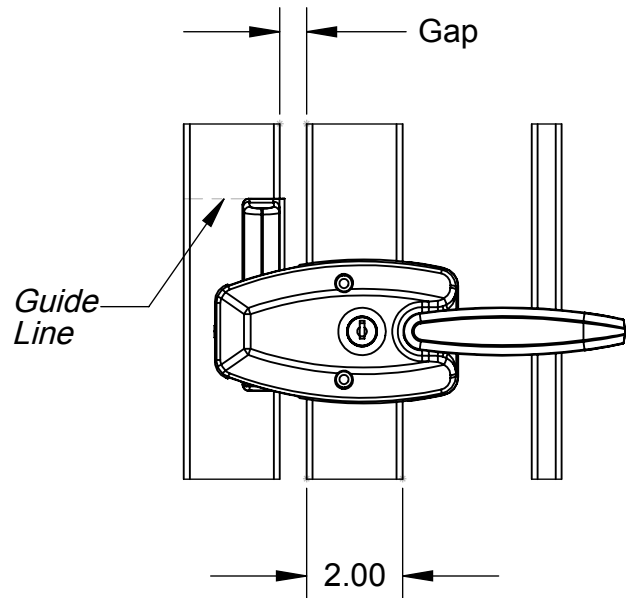
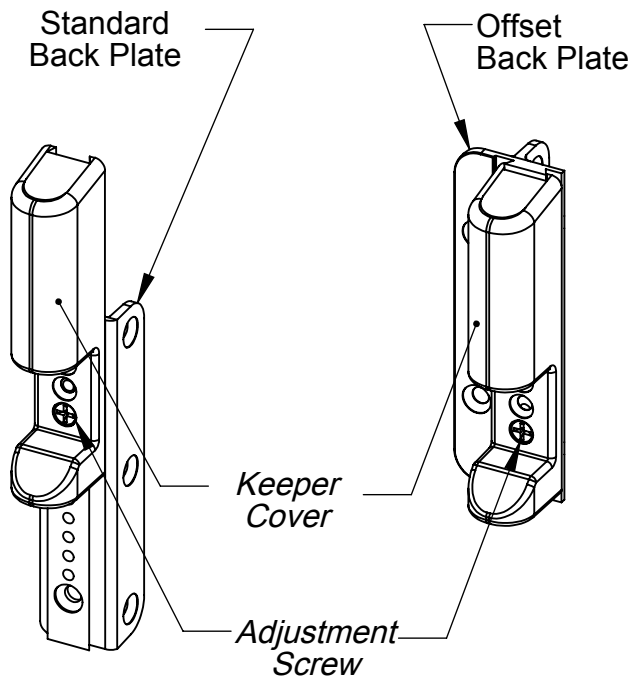
### STEP-2

With the **Latch Assembly** fastened in place, attach the **Square Spindle** into one of the **Handles** tightening the set screw with the **Wrench** provided. Insert **Square Spindle** into the Spindle hole on the front housing. Attach **Spindle Bushing** into the Spindle hole on the back housing. Finally, attach the other **Handle** at opposite end of **Square Spindle** with provided **Set Screw**.



**IMPORTANT NOTE:**

*To allow for a wide range of gaps, an optional Offset Keeper Back Plate is included. A table with Gap Range has been provided below. Make sure to have the correct Back Plate assembled with Keeper before proceeding with Step 3 of the installation. Keeper can be mounted as shown or reversed for an opposite handed gate.*



Back Plate	Gap Range
Standard Back Plate	5/16 To 13/16
Offset Back Plate	13/16 To 1-7/16

**STEP-3**

Once the **Keeper** is assembled with the proper **Back Plate** and in the proper direction for the gate handing, allow the **Keeper** to engage the latch. Close the gate and mark a **Guide Line** at the top of the **Keeper** on the fence post as shown above. Disengage the **Keeper** from the latch and mount the **Keeper** to the post with the supplied #8 x 3/4" screws. If using the **Standard Back Plate**, the **Keeper** will need to be disassembled to install all of the screws. Close the gate, allowing the latch to engage. Adjust **Keeper** as shown, open gate and install the **Adjustment Screw**.

